

# Excel Cat6A UTP Unscreened Keystone Jack IDC Punch Down Black

Item Code: 100-156-BK

**excel**  
without compromise.



✕ IDC point at 180 degrees to jack

✕ Suitable for patch panel and faceplate mounting

✕ EC Verified -UL 94-V-0 Safety Listed

✕ UK94V-0 fire retardant plastic

✕ Suitable for 10 Gigabit and 10GBase-T ethernet application

✕ CIBSE TM65 Embodied Carbon: 0.323 kg CO2e

## Product Overview

100-156-BK Excel Cat6A UTP Unscreened Keystone Jack IDC Punch down Black, available as part of our range of excel cat6a keystone jacks for RJ45 network connections.

Suitable for mounting in a range of housings from patch panels, faceplates and shutters, to floor boxes and work area distribution enclosures. The socket itself is housed in a high quality ABS plastic housing which opens at the rear to reveal the IDC termination points.

## Product Specifications

Feature	Values
Model	Jack
Type of connector	RJ45 8(8)
Shielded	no
Category	6A (IEC)
Requires termination tool	yes
Suitable for round cable	yes
Suitable for flat cable	no
Suitable for solid core	yes
Colour	Black

# Excel Cat6A UTP Unscreened Keystone Jack IDC Punch Down Black

Item Code: 100-156-BK

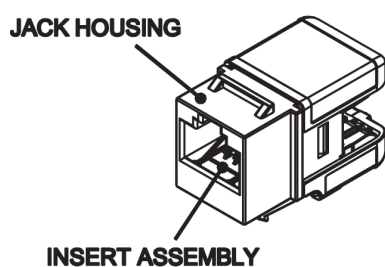
**excel**  
without compromise.

AWG-range 22...26

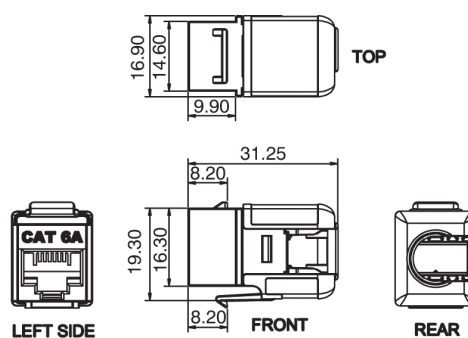
## Additional specifications

Features	Values
Width	17mm
Depth	31.25mm
Height	19.3mm
Housing	ABS High-Impact
RJ45 Contacts	Nickel plated phosphor bronze alloy with 50 micro-inch Gold plating
IDC Contacts	Tin plated phosphor bronze alloy
RJ45 Life	Minimum 750 insertions
Suitable impact tool	LSA style punch down tool
Storage temperature	-40 to +70°C
Operating temperature	-10 to +60°C

## Product drawing



A. Rear view of Keystone



B. Keystone profiles. Dimensions in mm

# Excel Cat6A UTP Unscreened Keystone Jack IDC Punch Down Black

Item Code: 100-156-BK



## Included accessories

Accessories	Quantity
Nylon cable tie	1
Wiring cap	1

## Standards

Applicable standard	Detail
RoHS-II/III (2011/65/EU & 2015/863): 2023	Our products, demonstrate full adherence to the regulatory stipulations of the EU Directive 2011/65/EU (RoHS-II) and its corresponding delegated directive 2015/863 (RoHS-III).
ISO/IEC 11801-1:2017	Information technology - Generic cabling for customer premises: Part 1 General Requirements
EN 50173-1:2018	Information technology. Generic cabling systems - General requirements
ANSI/TIA 568-2.D	Balanced Twisted-Pair Telecommunications Cabling and Components Standards
UL-94-V-0	Burning stops within 10 seconds after two applications of ten seconds each of a flame to a test bar. NO flaming drips are allowed.
WFD: 2023	Compliant to Waste Framework Directive
SCIP: 2023	Compliant - Does Not Contain Substances of Concern In articles as such or in complex objects (Products)
POPs (EU) No 2019/1021	EU Regulation for the restriction of Persistent Organic Pollutants.

## Part Number Table

Part Number	Description
100-156	Excel Cat6A UTP Unscreened Keystone Jack IDC Punch Down White
100-156-24	Excel Cat6A UTP Unscreened Keystone Jack IDC Punch Down White (Box 24)
100-156-BK	Excel Cat6A UTP Unscreened Keystone Jack IDC Punch Down Black
100-156-BK-24	Excel Cat6A UTP Unscreened Keystone Jack IDC Punch Down Black (Box 24)

Excel is a world class premium performing end to end infrastructure solution designed, Manufactured, supported and delivered without compromise.

Contact us at [sales@excel-networking.com](mailto:sales@excel-networking.com)



E&OE. Excel is a registered trade name of Mayflex Holdings Ltd.