

**PRODUCT CODE: SFC20/50P**  
PVC / STEEL FLEXIBLE CONDUIT

**DESCRIPTION**

20mm PVC Coated Steel Flexible Conduit - 50mtr Coil

**FINISH**

Black PVC Coated

**MATERIAL**

Pre Galvanised Steel

**PACKAGING**

Packed in qty 1

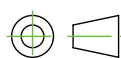
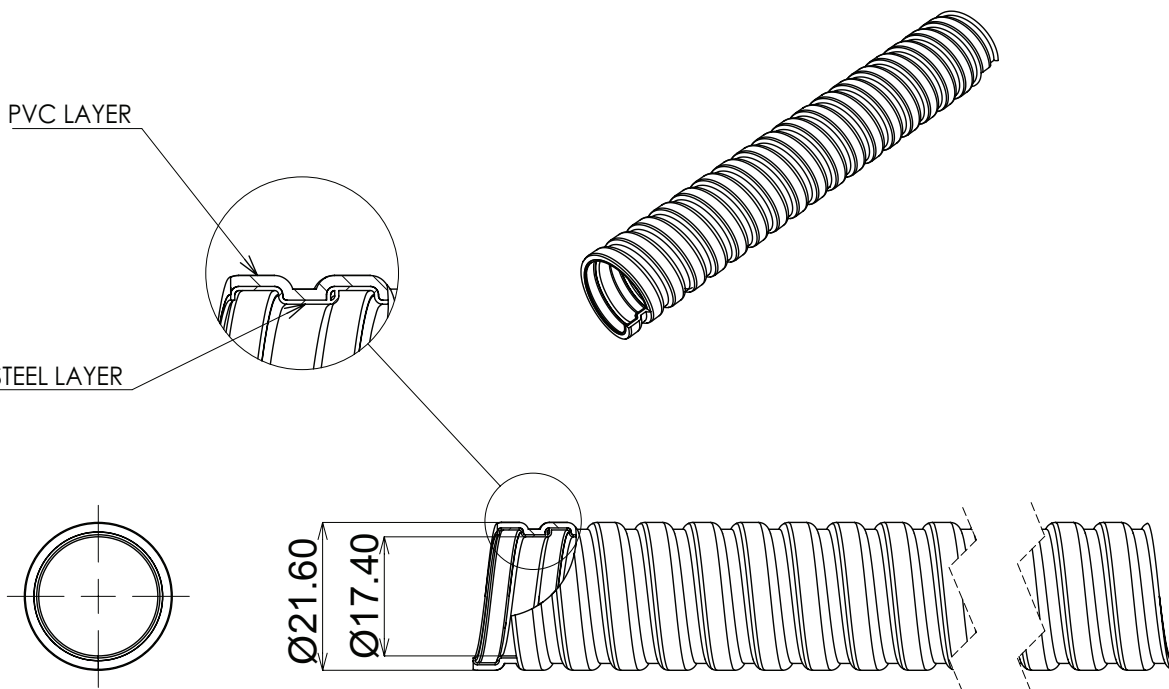
**ADDITIONAL NOTES**

IP65 Rated  
RoHS Compliant  
Temperature Range: -20°C to +80°C



PVC LAYER

STEEL LAYER



Values are nominal and with a general tolerance  $\pm 5\%$  unless otherwise specified