

# Data sheet

Part No. **CB 3 BK**

Description distribution box

Circular box for surface installation with 2 mounting lugs, standard mounting screw spacing 50.8mm (2") for conduit diameters 20mm to 25mm, with brass inserts M 4, without lid

Colour black, similar to RAL 9005

**PVC-LSF** 

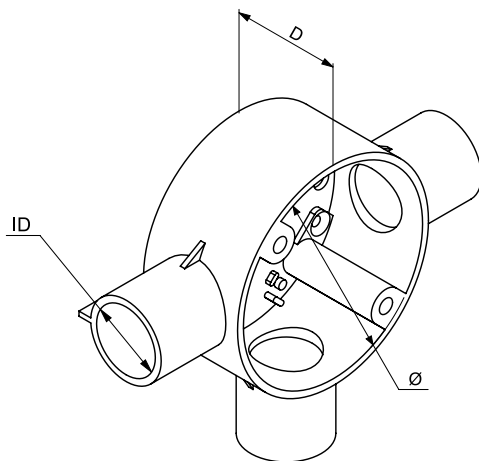


Standard: BS 4607, EN 60670



|                     |                           |                  |          |
|---------------------|---------------------------|------------------|----------|
| Working temperature | Degree of protection (IP) | Number of inlets | Material |
| -5 to +60 °C        | IP3X                      | 3                | PVC-LSF  |

| Art. no.           | Dimensions Ø/LxW x D | For tube diameter | ps    | pl     |
|--------------------|----------------------|-------------------|-------|--------|
| 104 254 CB 20/3 BK | 65 x 32 mm           | 20 mm             | 25 pc | 240 pc |
| 104 259 CB 25/3 BK | 65 x 32 mm           | 25 mm             | 20 pc | 200 pc |



For sale in the UK market only.