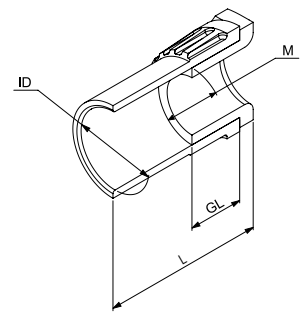


# Data sheet

ID	<b>HFAFT/MBS WH</b>
Description	adaptor with female thread and male bush, halogen-free
Properties	for the connection of rigid or pliable conduits with distribution and enclosure boxes
Colour	white, similar to RAL 9010



Working temperature  
-25 to +90 °C

Degree of protection (IP)  
IP54

Art. no.	Nominal diameter	Thread connection size	Thread length	ps	pl
064 493	16 mm	M16 x 1.5	11 mm	100 pc	2400 pc
037 043	20 mm	M20 x 1.5	14 mm	100 pc	1200 pc
041 465	25 mm	M25 x 1.5	14 mm	50 pc	600 pc
064 271	32 mm	M32 x 1.5	14 mm	20 pc	480 pc

## Areas of Recommended Application

Area	
Approved in combination with protective conduit CSA	False
Approved in combination with protective conduit UR	False
Approved in combination with protective conduit DIN EN 61386-23	True
Approved in combination with protective conduit Lloyd's Register	False

## Further technical details

Details	
Model	Straight
Revolving thread	False
Construction type	Internal thread
Type of connection	Plug-in connection
Thread type	Metric
Material sealing	No sealing
Material	PC-Blend