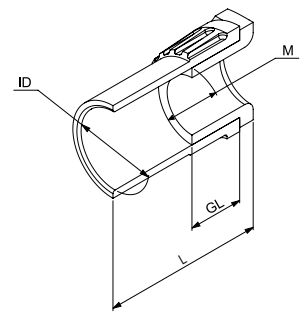


Data sheet

ID	HFAFT/MBS WH
Description	adaptor with female thread and male bush, halogen-free
Properties	for the connection of rigid or pliable conduits with distribution and enclosure boxes
Colour	white, similar to RAL 9010



Working temperature
-25 to +90 °C

Degree of protection (IP)
IP54

Art. no.	Nominal diameter	Thread connection size	Thread length	ps	pl
064 493	16 mm	M16 x 1.5	11 mm	100 pc	2400 pc
037 043	20 mm	M20 x 1.5	14 mm	100 pc	1200 pc
041 465	25 mm	M25 x 1.5	14 mm	50 pc	600 pc
064 271	32 mm	M32 x 1.5	14 mm	20 pc	480 pc

Areas of Recommended Application

Area	
Approved in combination with protective conduit CSA	False
Approved in combination with protective conduit UR	False
Approved in combination with protective conduit DIN EN 61386-23	True
Approved in combination with protective conduit Lloyd's Register	False

Further technical details

Details	
Model	Straight
Revolving thread	False
Construction type	Internal thread
Type of connection	Plug-in connection
Thread type	Metric
Material sealing	No sealing
Material	PC-Blend