

**PRODUCT CODE: DS1G**  
DISTANCE SADDLE



**DESCRIPTION**

20mm Distance Saddle

**FINISH**

Hot Dipped Galvanised

**MATERIAL**

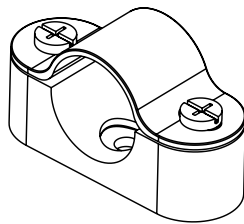
Body: Cast / Strap: Pressed Steel

**PACKAGING**

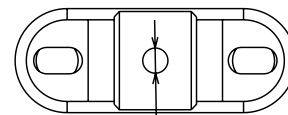
Packed in qty 50

**ADDITIONAL NOTES**

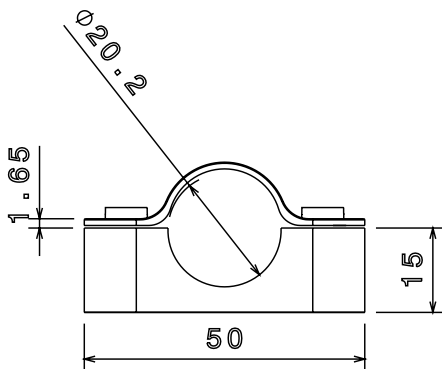
Conforms to BS EN61386-1  
Compliant to LU Standard 1-085 (for use on surface & sub-surface locations)  
Comprises; body, strap and 2 x screws



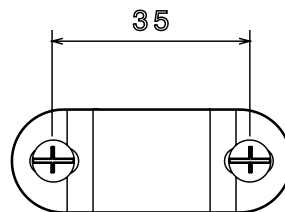
Isometric view



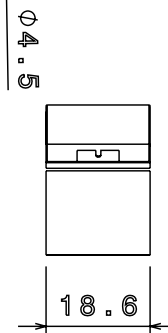
Bottom view



Front view



Top view



Side view