

“ ” : 2 RONGS FOR STRANDED WIRE

Material & Brand (Logo) :

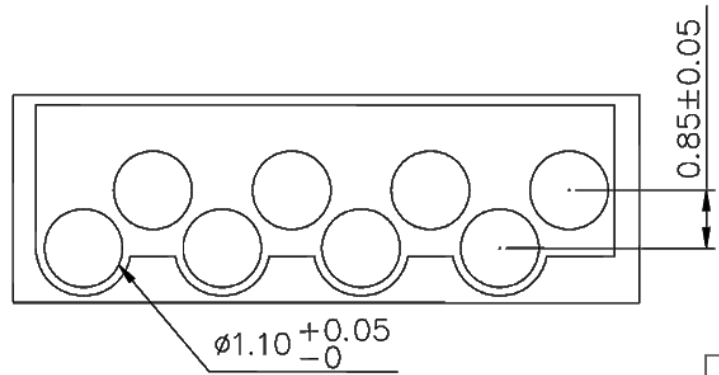
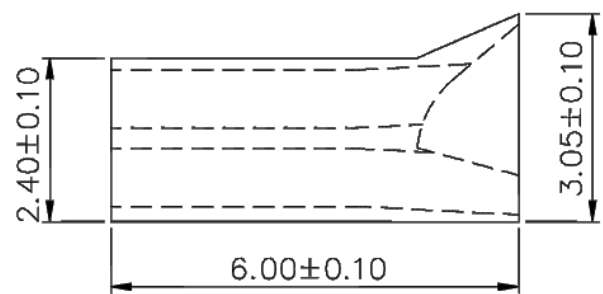
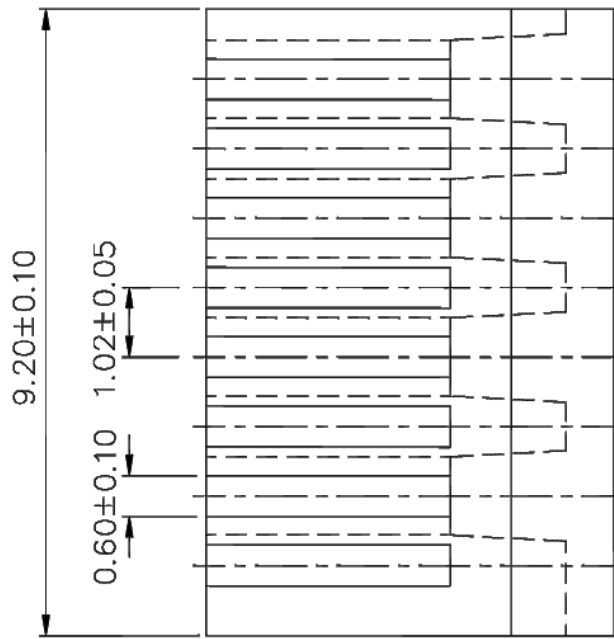
1. Brand (LOGO) : COB
2. Housing Material : Polycarbonate(PC)
3. Contact Type : 2 prongs for STRANDED wire
4. Gold Plating : $50\mu''(\geq 1.27\mu m)$
5. Contact Material : Phosphor Bronze
6. Option : (Sled T Liner)

UNIT: m/m

Remark:

1. 24 或 26 AWG • Available for 24 or 26 AWG wire.

TITLE			
APPROVE		DESIGN	
DATE	06-25-2009	F. No.	

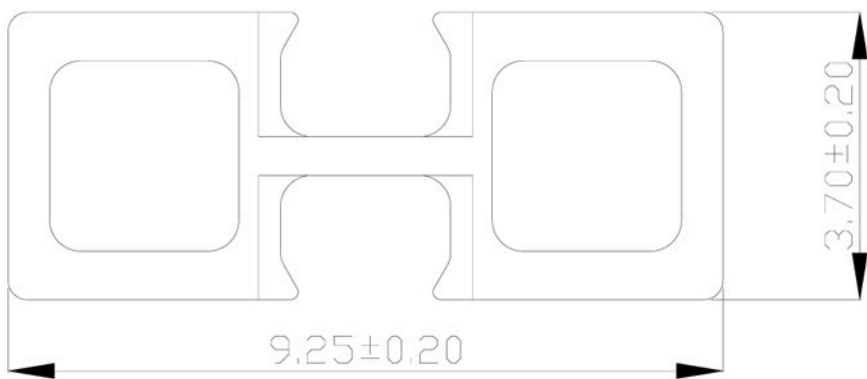
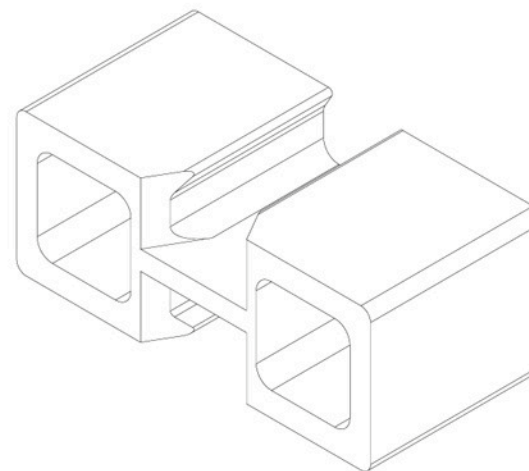
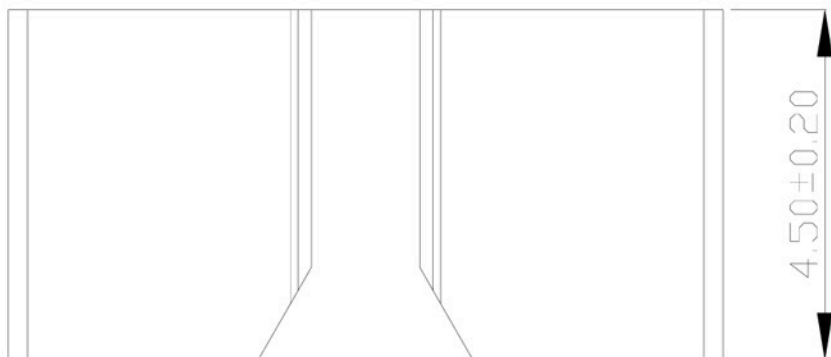


UNIT: m/m

材質 Material :

1. 塑膠材質 Material : (Polycarbonate(PC))

TITLE			
APPROVE		DESIGN	
DATE	07-27-2009	F. No.	



UNIT: m/m

材質 Material :

1. 塑膠材質 Material : Polycarbonate(PC)

TITLE			
APPROVE		DESIGN	
DATE	06-25-2009	F. No.	