

**IB2 - CONDUIT INSPECTION BEND**

**Description :**

IB2G / B - 25mm Conduit Inspection Bend

**Finish :**

Galvanised (G) or Black Enamel (B)

**Material :**

steel

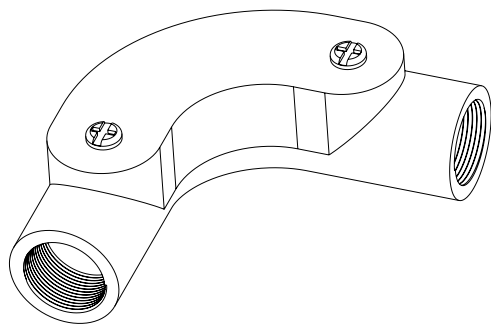
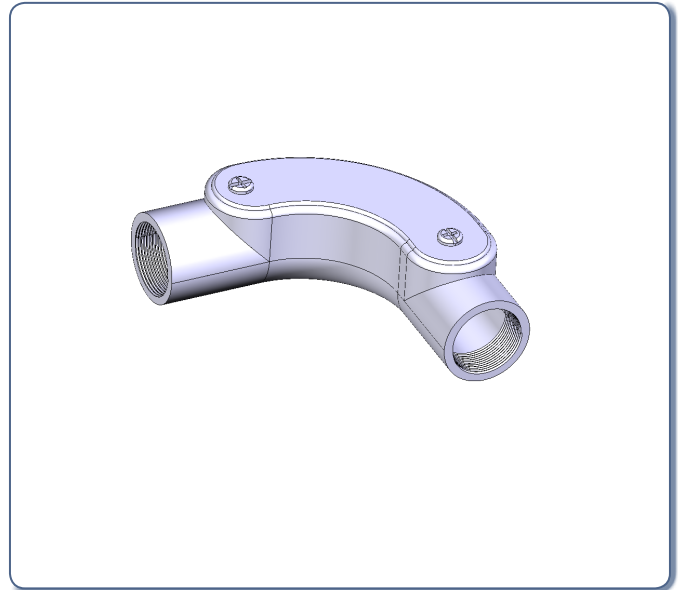
**Packaging :**

Packed in qty 10

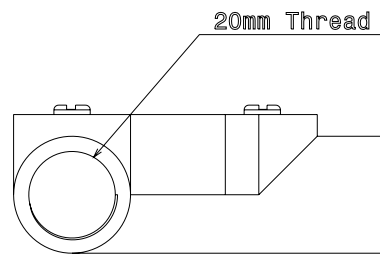
**Additional Notes :**

Compliant to LU Standard 1-085

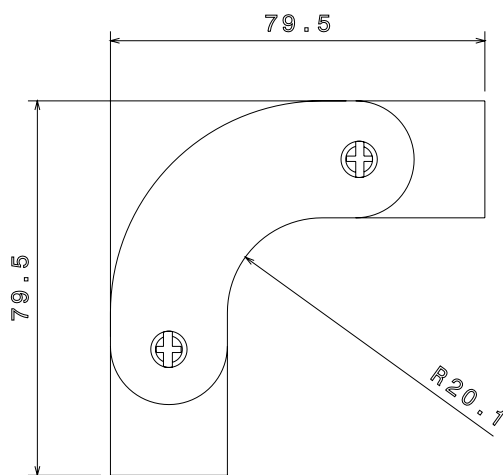
(For use on surface & sub-surface locations)



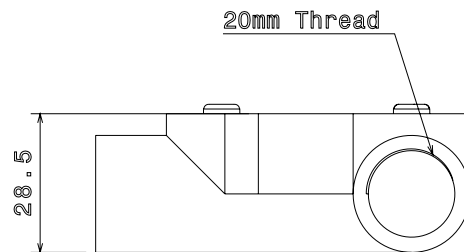
Isometric view



Right view



Top view



Left view

All Dimensions in mm (unless otherwise stated)

© Metpro Ltd 2015 - This Document is provided for Information Purposes Only and is Subject to Change Without Notice. Metpro Ltd makes No Warranty, express or implied, with this Document or the Information contained within.

**Tel : 0121 552 2100 - Fax : 0121 552 3363 - Email : sales@metpro.co.uk**