

Uncoated Steel Stainless Cable Ties

Ball Lock Type

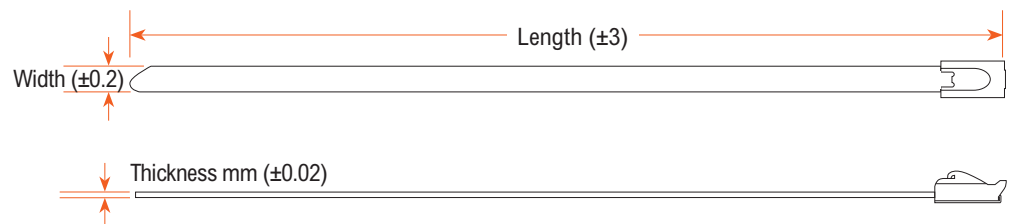
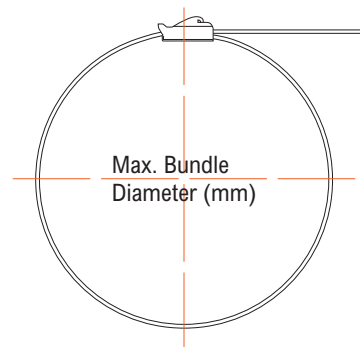
**• Material:****• Features:****• Operating Temperature:****• Application:**

- 316L grade non-magnetic stainless steel.

Metallic surface finish
UL94 Fireproof & UV Resistant

-60°C to +300°C.

- Self-locking head design speeds installation and locks into place at any length.
- Provides a strong, durable method of cable bundling.



See product technical table
on next page

Uncoated Steel Stainless Cable Ties

Ball Lock Type

Item No.	Colour	Width W (mm)	Thickness (mm)	Length L (mm)	Max. Bundle Diameter (mm)	Min. Tensile Strength (kg)
SSCT1	Stainless Steel	4.6	0.25	150	46	89
SSCT2	Stainless Steel	4.6	0.25	200	62	89
SSCT18	Stainless Steel	4.6	0.25	260	75	89
SSCT6	Stainless Steel	4.6	0.25	300	94	89
SSCT3	Stainless Steel	4.6	0.25	360	113	89
SSCT4	Stainless Steel	4.6	0.25	520	164	89
SSCT15	Stainless Steel	4.6	0.25	620	190	89
SSCT13	Stainless Steel	4.6	0.25	840	265	89
SSCT16	Stainless Steel	4.6	0.25	1000	311	89
SSCT17	Stainless Steel	7.9	0.25	150	46	160
SSCT8	Stainless Steel	7.9	0.25	200	62	160
SSCT9	Stainless Steel	7.9	0.25	300	94	160
SSCT5	Stainless Steel	7.9	0.25	360	113	160
SSCT7	Stainless Steel	7.9	0.25	520	164	160
SSCT10	Stainless Steel	7.9	0.25	620	190	160
SSCT11	Stainless Steel	7.9	0.25	840	265	160
SSCT12	Stainless Steel	7.9	0.25	1000	311	160